

Ancolie 3



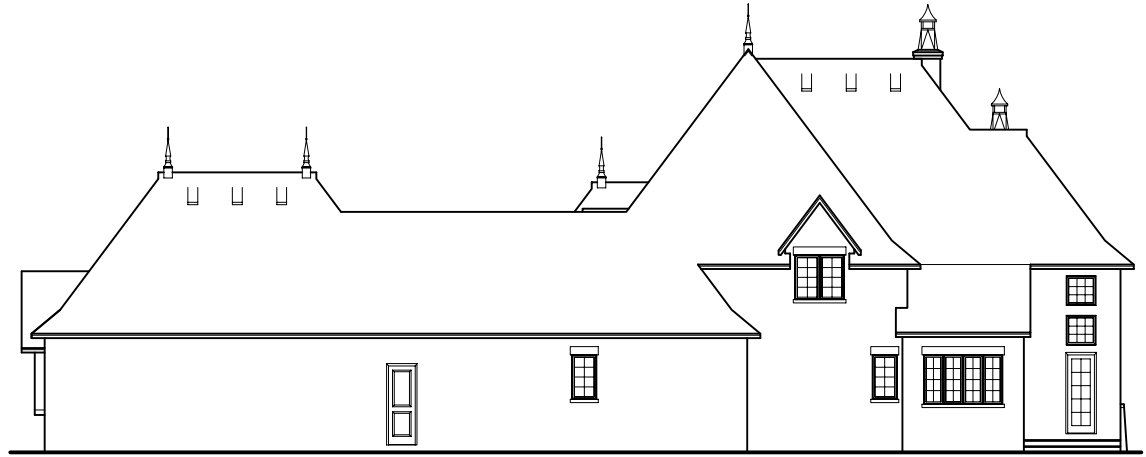
E1 FRONT ELEVATION



E2 LEFT ELEVATION



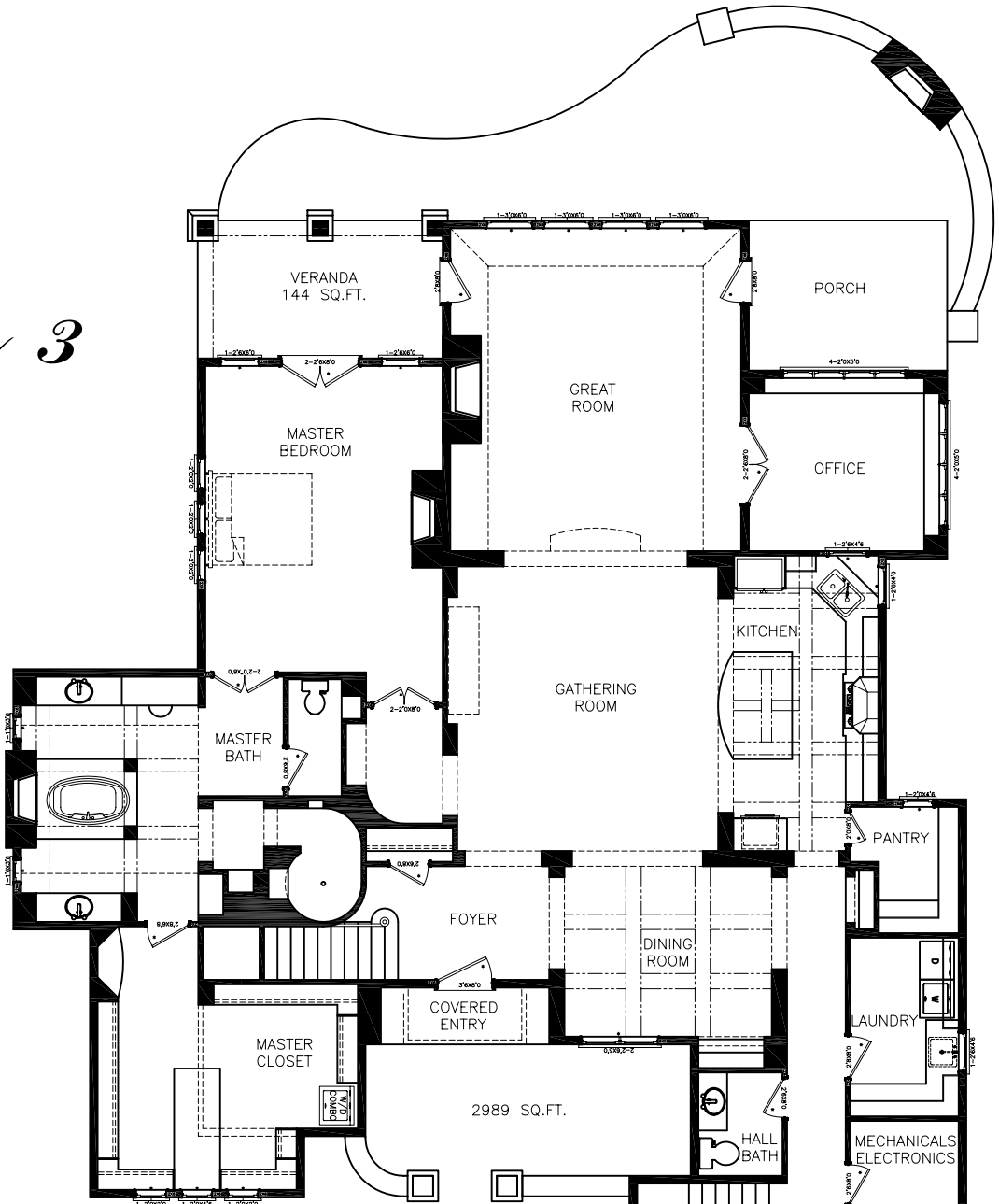
E3 REAR ELEVATION



E4 RIGHT ELEVATION

EuroWorldDesign ©

Ancolie 3

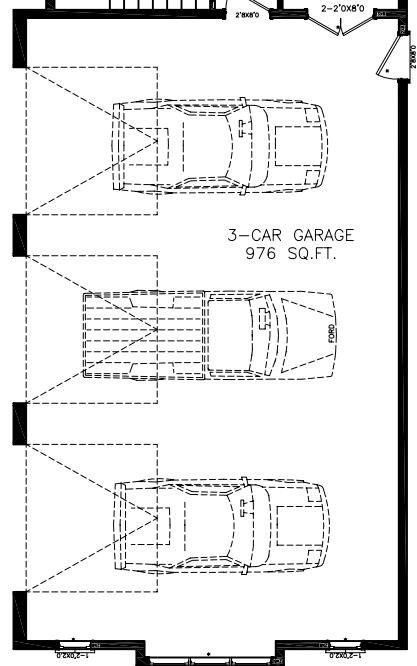


Main Floor

ROOM DIMENSIONS

MASTER BEDROOM	15'6" X 20'
MASTER BATH	19'11" X 16'
MASTER CLOSET	17' X 17'3"
GATHERING ROOM	17' X 18'7"
FOYER	12' X 7'5"
DINING ROOM	13'7" X 11'2"
OFFICE	11'6" X 10'4"
KITCHEN	9'6" X 16'2"
PANTRY	5'3" X 8'3"
LAUNDRY	7'1" X 11'8"

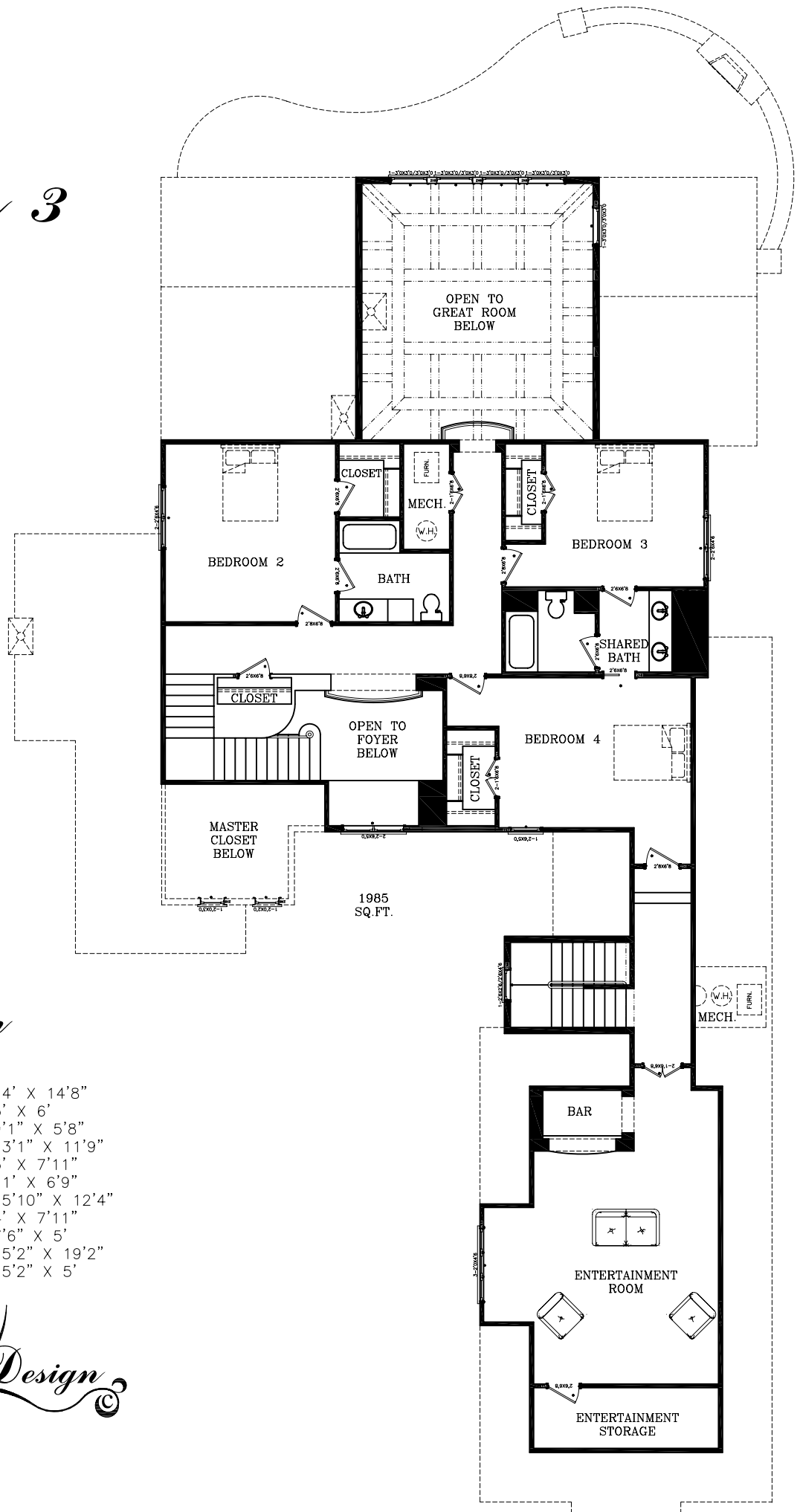
TOTAL DIMENSION:
62'9"(WIDTH) X 109'11"(DEPTH)



EuroWorldDesign

This document is for the exclusive use of EURO WORLD DESIGN. All rights are reserved by EURO WORLD DESIGN. Do not reproduce, alter, or display without the written consent and/or release of EURO WORLD DESIGN. This document is for marketing purposes only and shall not be used as construction documents.

Ancolie 3



Second Floor

ROOM DIMENSIONS

BEDROOM 2	14' X 14'8"
CLOSET	5' X 6'
BATH	9'1" X 5'8"
BEDROOM 3	13'1" X 11'9"
CLOSET	3' X 7'11"
SHARED BATH	11' X 6'9"
BEDROOM 4	15'10" X 12'4"
CLOSET	4' X 7'11"
BAR	7'6" X 5'
ENTERTAINMENT ROOM	15'2" X 19'2"
ENTERTAINMENT STORAGE	15'2" X 5'



This document is for the exclusive use of EURO WORLD DESIGN. All rights are reserved by EURO WORLD DESIGN. Do not reproduce, alter, or display without the written consent and/or release of EURO WORLD DESIGN. This document is for marketing purposes only and shall not be used as construction documents.